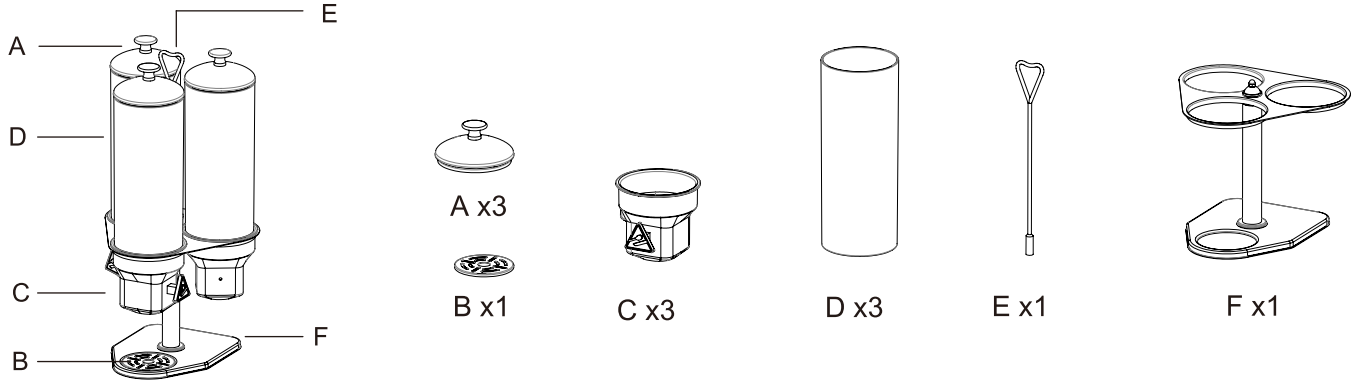


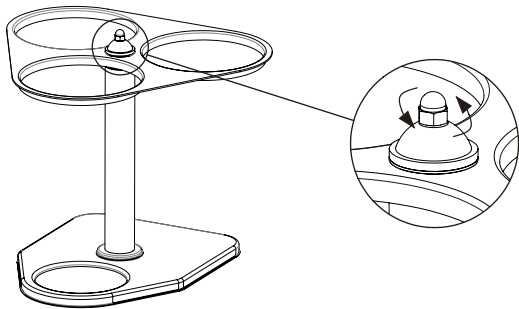


Part List



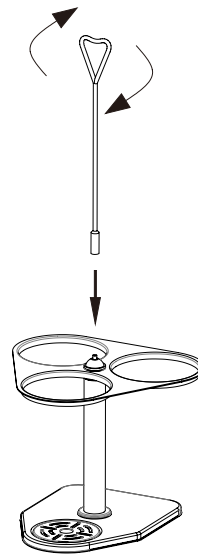
Assembly

1



Step 1: Unscrew the nut counterclockwise

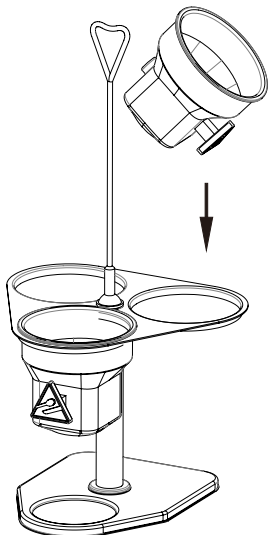
2



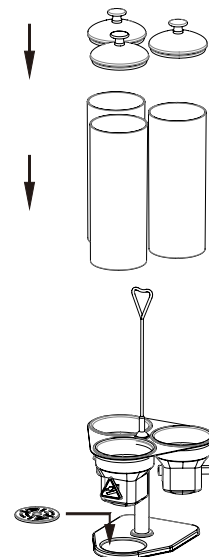
Step 2: Attach the lifting lever (E)
(clockwise)

Note: This handle does not need
to be tightened too much.

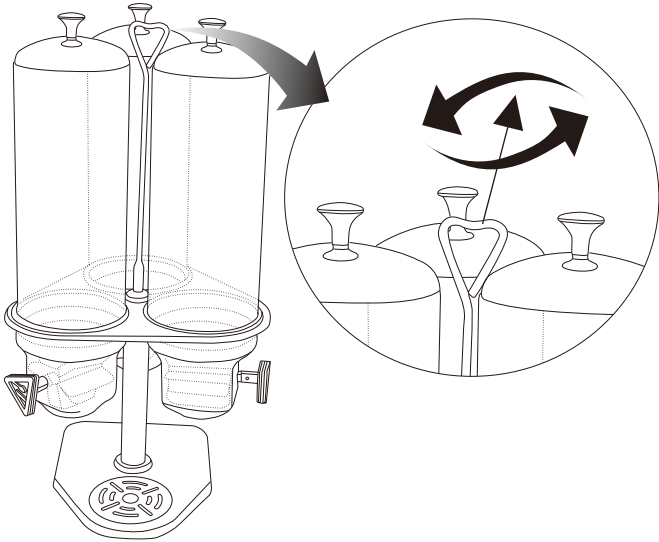
3



4



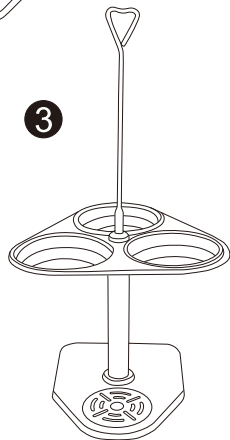
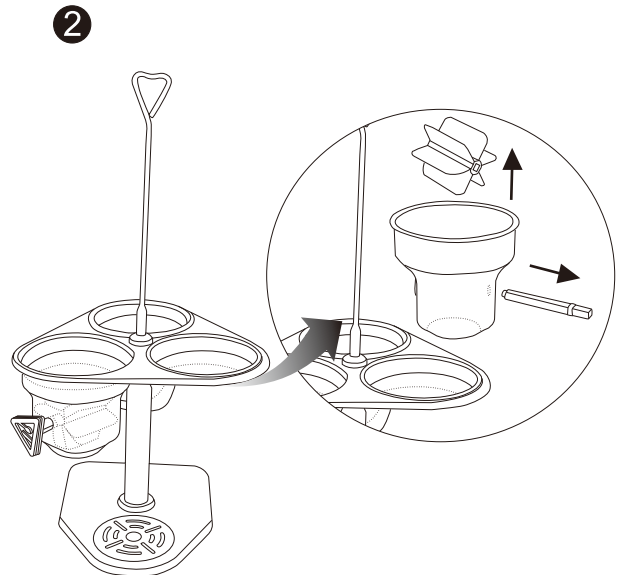
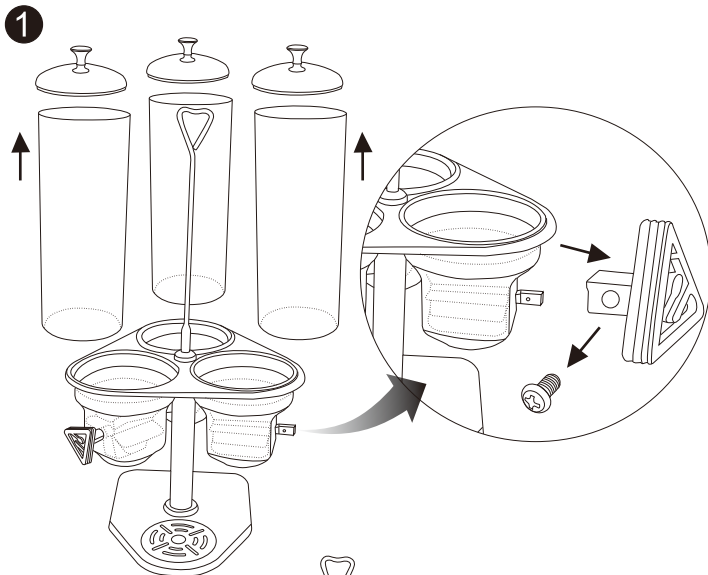
How to Use



- The speed of the rotation can be adjusted by turning the revolving rod clockwise (to be tight) or anticlockwise (to be loose).

How to Clean

- The plastic cylinders, paddles and paddle covers can be individually disassembled for washing purpose.
- When washing these parts, use mild detergent and rinse them thoroughly in tap water.



- Do not disassemble any part of the left unit.
- Do not immerse the unit in water and avoid water from spilling into the gap between the revolving rod and the upper revolving platform.
- Only use a clean damp cloth to wipe over the surface.

Contact Information

Market	Phone	Website	Email
Outside China	+852-2775-0204 +86-775-2555-4136	www.sunnexproducts.com www.sunnex1929.com	sales@sunnexproducts.com sales@sunnex1929.com
Within China	+86-755-2555-1571 +86-18922042156(After-sales hotline)	www.sunnexchina.com	sales@sunnexchina.com