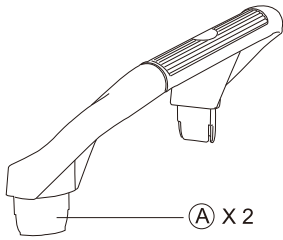


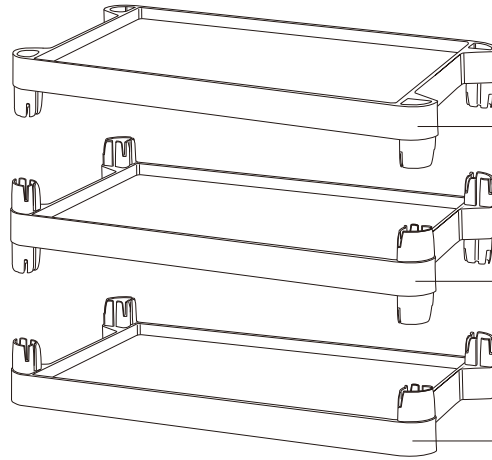


**Clearing Trolley, Item No. 87310**

**PART LIST**



(A) X 2



(B) X 1

(C) X 1

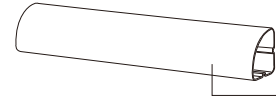
(D) X 1



www.sunnexproducts.com



www.sunnex1929.com

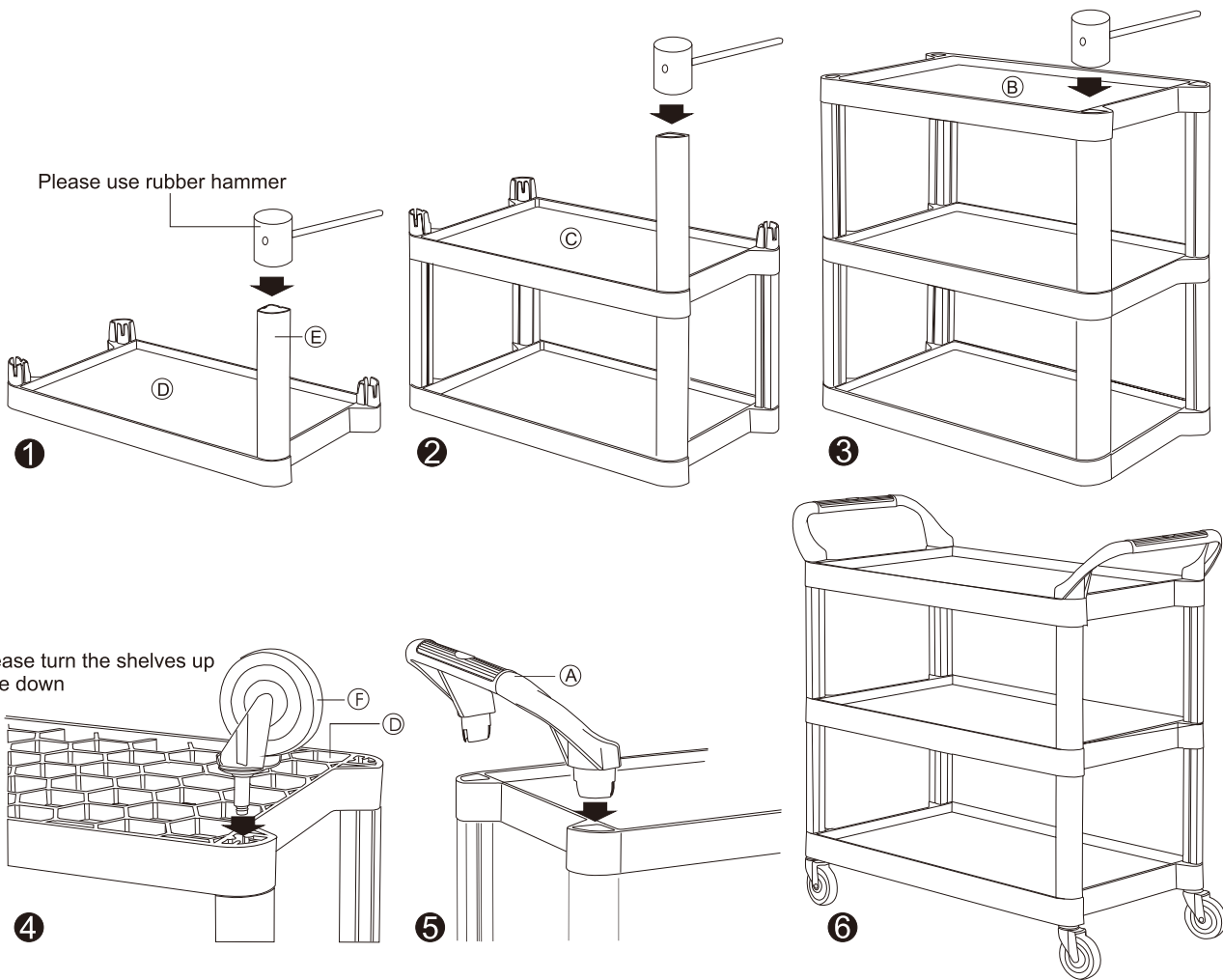


(E) X 8



(F) X 4

**Assembly Procedure**



**Remark:** 1. Rubber hammer is not included 2. Don't load more than 150kgs

**Contact Information**

Market	Phone	Website	Email
Outside China	+852-2775-0204 +86-775-2555-4136	www.sunnexproducts.com www.sunnex1929.com	sales@sunnexproducts.com sales@sunnex1929.com
Within China	+86-755-2555-1571	Service Hotline 400-035-1688 www.sunnexchina.com	sales@sunnexchina.com